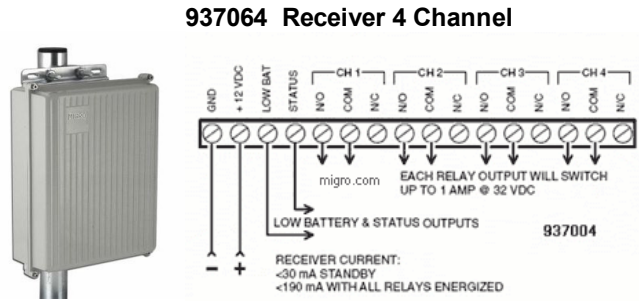
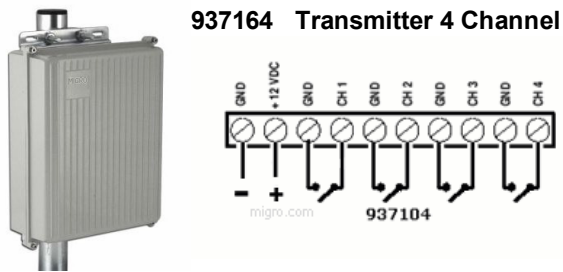
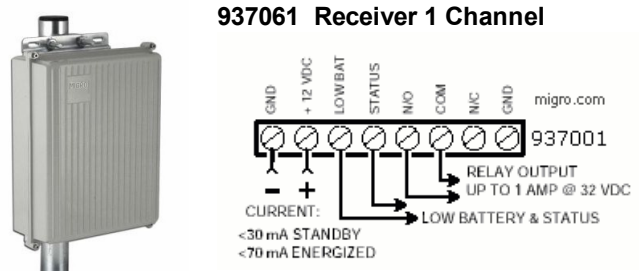
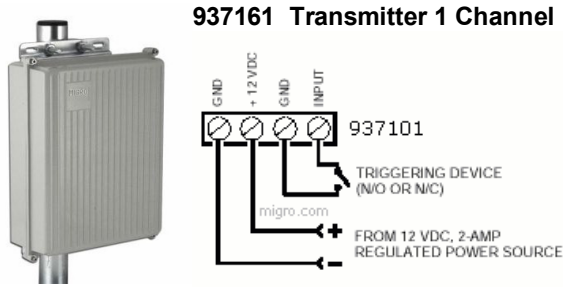


Features:

Wireless System, 5 Miles (8 Km) line of sight,
 3300 feet (1000 m) obstructed in building
 Optional <12 Miles (20 Km) line of sight
 12 VDC Operation, Solar ready
 Transmitter 2A (500ms), Receiver 200mA
 Operation 27 MHz 12 bit digital encoded
 Easy installation and setup

Applications:

Field control operations, irrigation, lighting, process, pumps,
 generators, solar systems, water pumps, plantations, remote
 monitoring, mobile services, conveyor control,
 telecommunications, assembly lines, traffic control, test and
 research labs, equipment OEM remotes, maintenance,
 PLC remote i/o, perimeter, security



TRANSMITTER SPECIFICATIONS

Operating Frequency: 27.255 MHz
 Number of Codes: 65,536 Digital 16 bit, DIP switch programming
 Antenna Impedance: 50 Ohms UHF PL259
 Operating Voltage: 12 to 15. VDC
 Operating Temperature: -4° to +140° F (-20° to +60° C)
 Operating Current: Standby 15 µA, Transmitting 2.0 Amps at 12 VDC
 Dimensions 24.13 cm x 19.05 cm x 8.89 cm / 9.5 inch x 7.5 inch x 3.5 inch. Weight: 2.36 kg / 5 lb
 Enclosure Weatherproof : IP67, Aluminum Die Cast Hinged
 U-Bolt Pole Mounting Hardware
 RF Output Power: FCC Part 15.249, 50mV/m @ 3m
 Loop Response Time: 500 msec
 Input dry contact, screw terminals
 Code Transmissions: Stream, restore, status, and low battery

RECEIVER SPECIFICATIONS

Operating Frequency: 27.255 MHz
 Number of Codes: 65,536 Digital 16 bit, DIP switch programming
 Antenna Impedance: 50 Ohms UHF PL259
 Operating Voltage: 12 to 15. VDC, Sensitivity: -118 dB (minimum)
 Operating Temperature: -4° to +140° F (-20° to +60° C)
 Dimensions 24.13 cm x 19.05 cm x 8.89 cm / 9.5 inch x 7.5 inch x 3.5 inch. Weight: 2.36 kg / 5 lb
 Enclosure Weatherproof: IP67, Aluminum Die Cast Hinged
 U-Bolt Pole Mounting Hardware
 Current Drain: 25 mA, standby & 65 mA energized @ 12 VDC
 Status exception one open collector output per receiver;
 Outputs: Low Battery - one open collector output per receiver
 Control output isolated N/O and N/C relay contacts
 Relay switching a maximum of 1 Amp @ 32 VDC

Antenna selection

